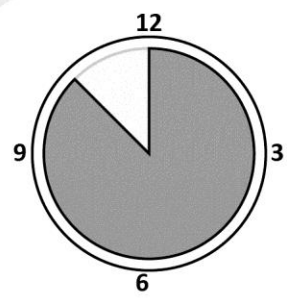





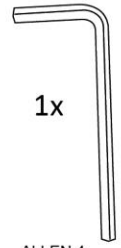
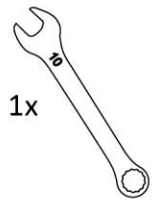




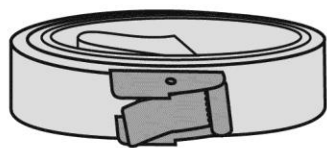
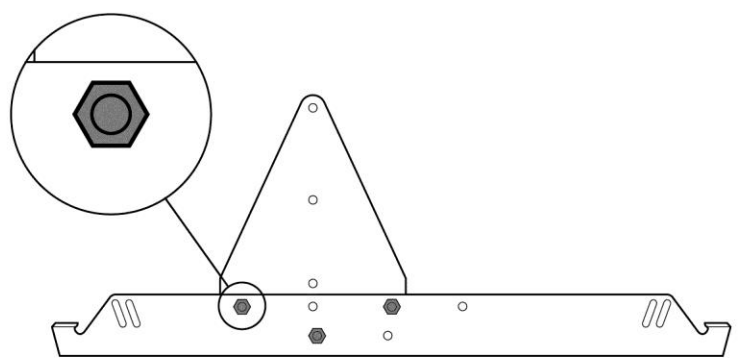
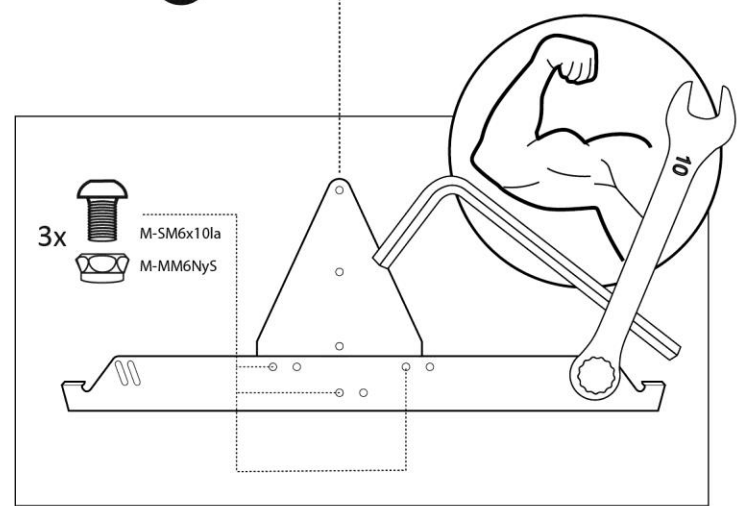
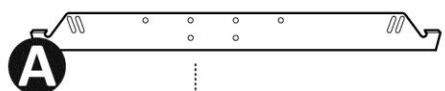
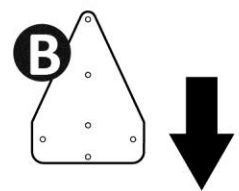
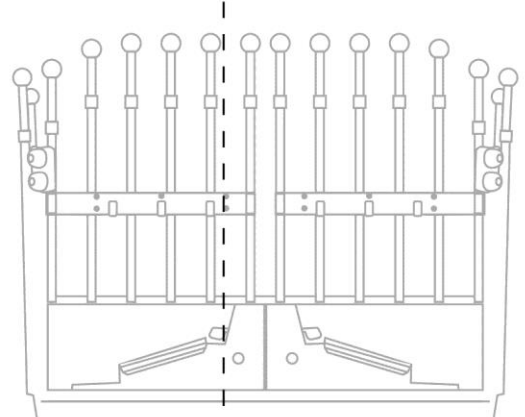
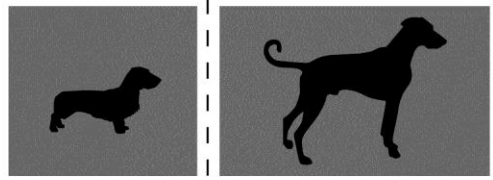
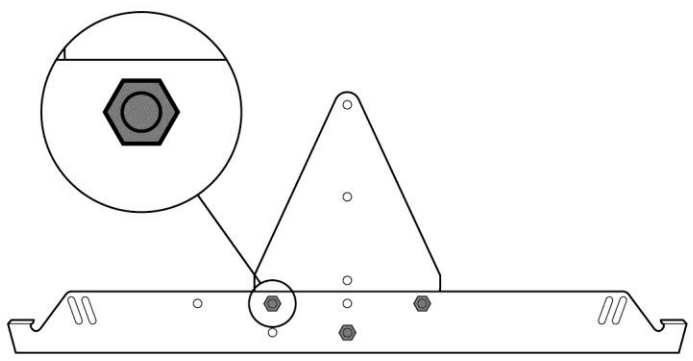
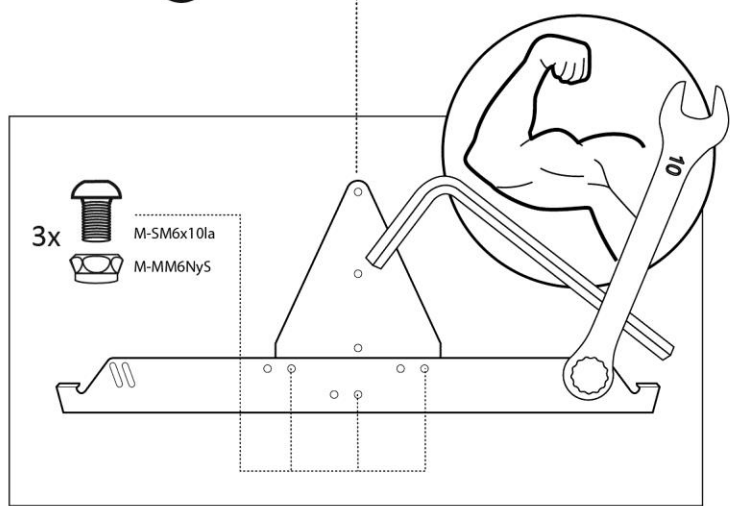
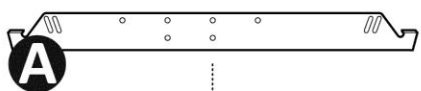
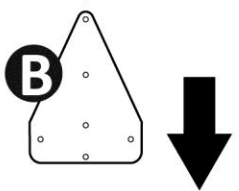
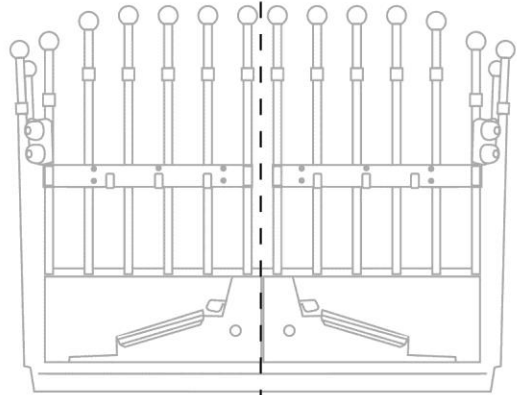
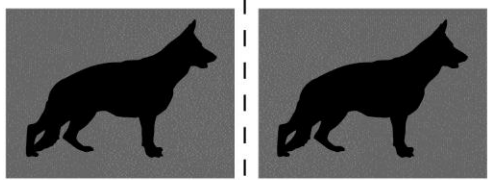


**mim**  
CONSTRUCTION  
»Variogate« / Divider short/long«

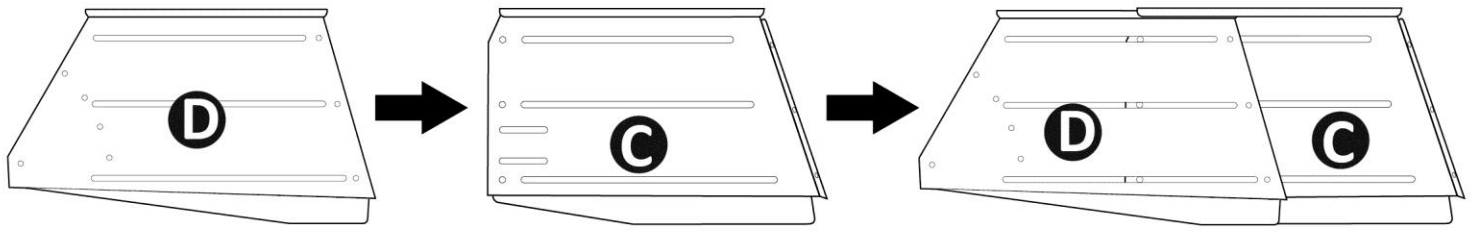


12x  M-B251,56,55LD	18x  M-BR6x19x1S	10x  M-SM6x16la	12x  M-SR3220M6S	12x  M-VBM6x35	1x  ALLEN 4	1x  SPANNER 5
18x  M-SM6x10la	24x  M-MM6NyS	6x  M-460641AY	6x  M-460641AL	2x  M-10240		

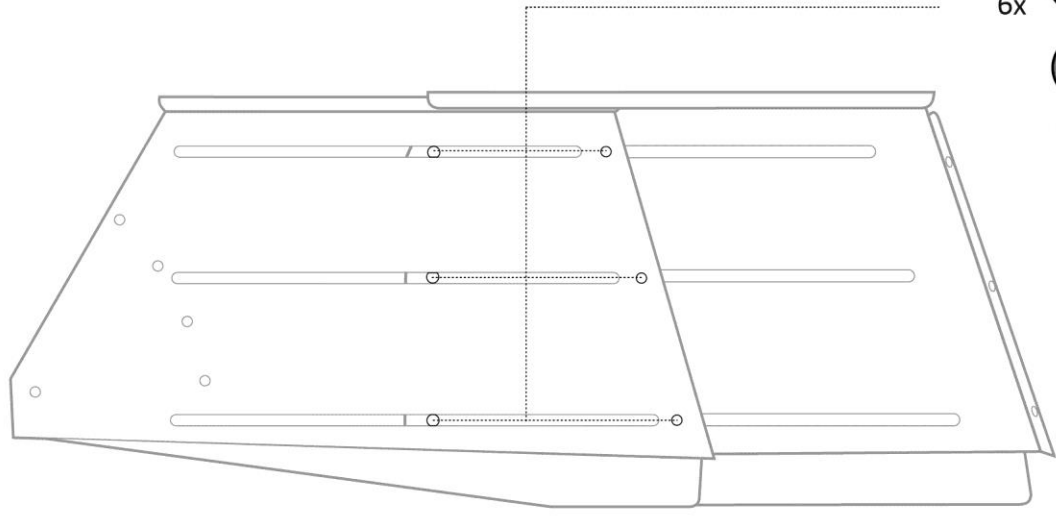
1







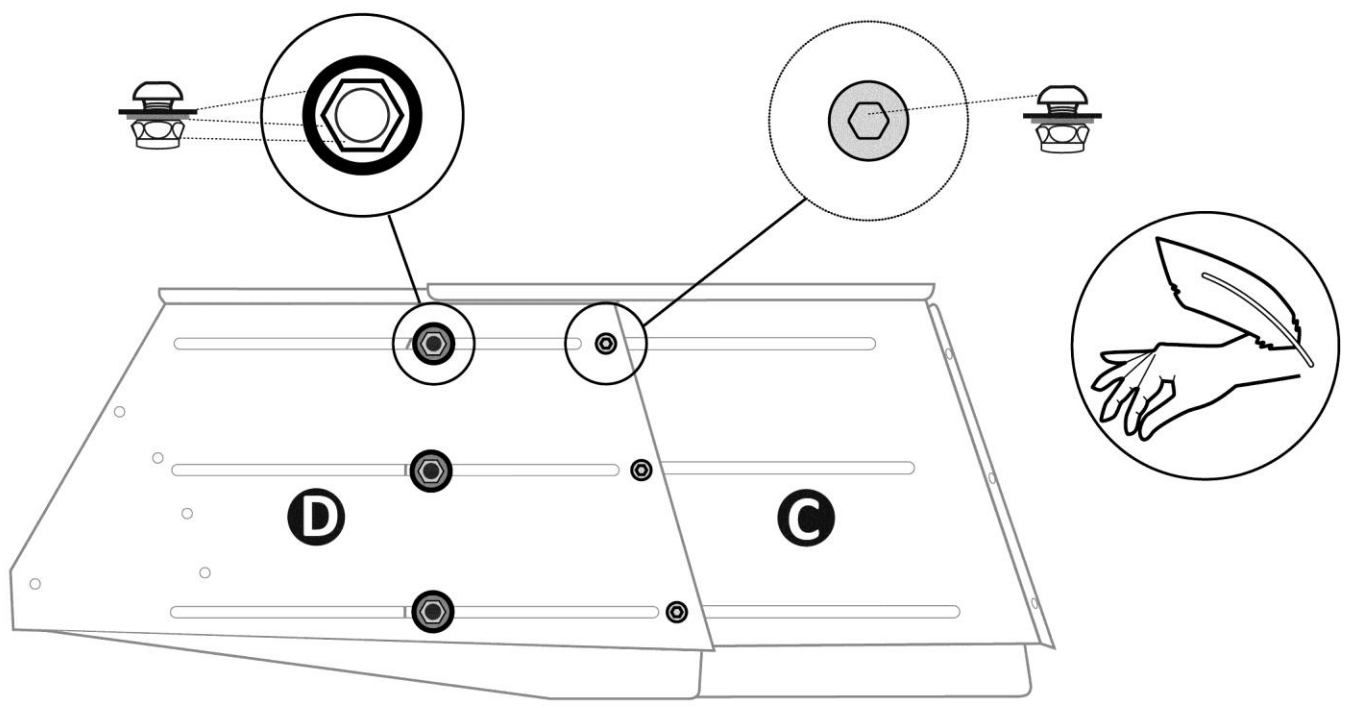
3



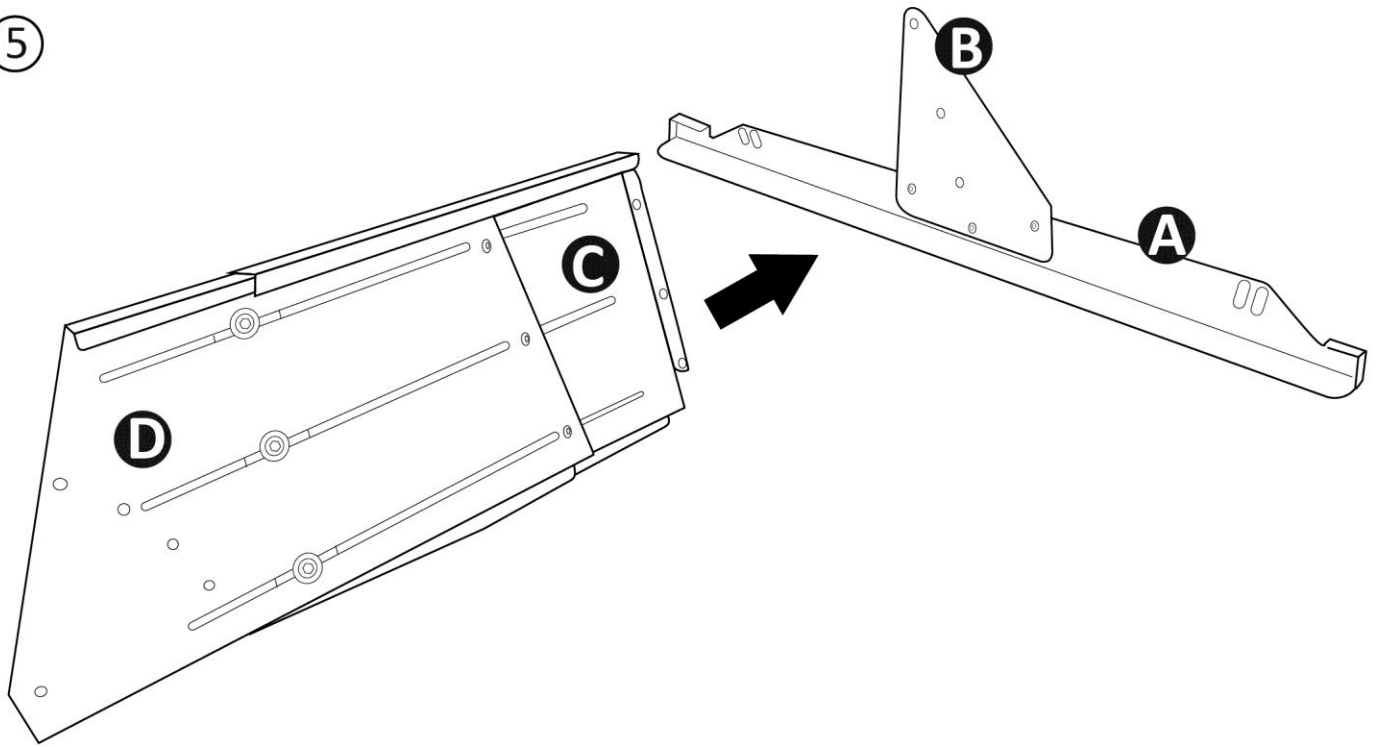
4



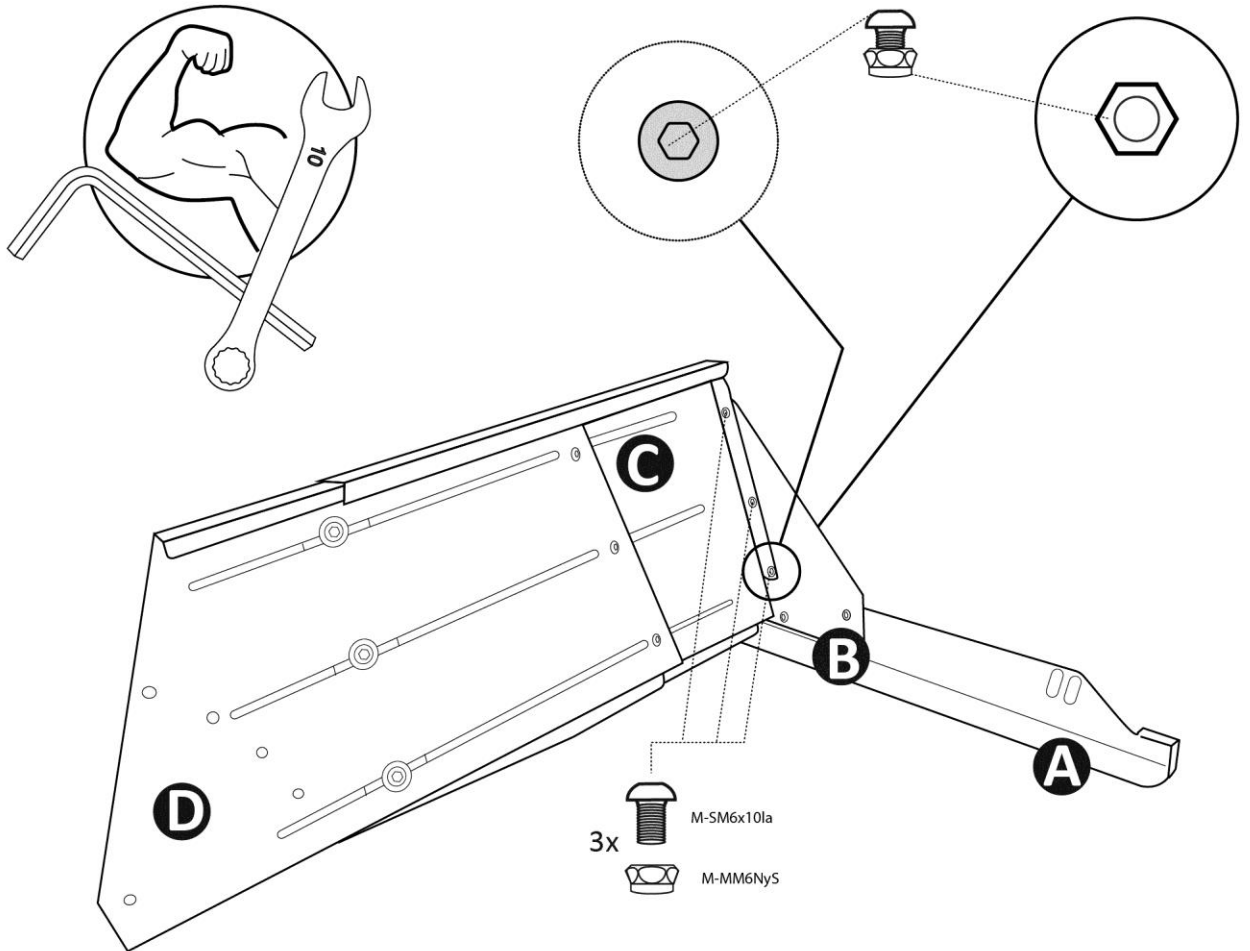
-  M-SM6x10la
- 6x**  M-B251,56,5SLD
-  M-BR6x19x1S
-  M-MM6NyS



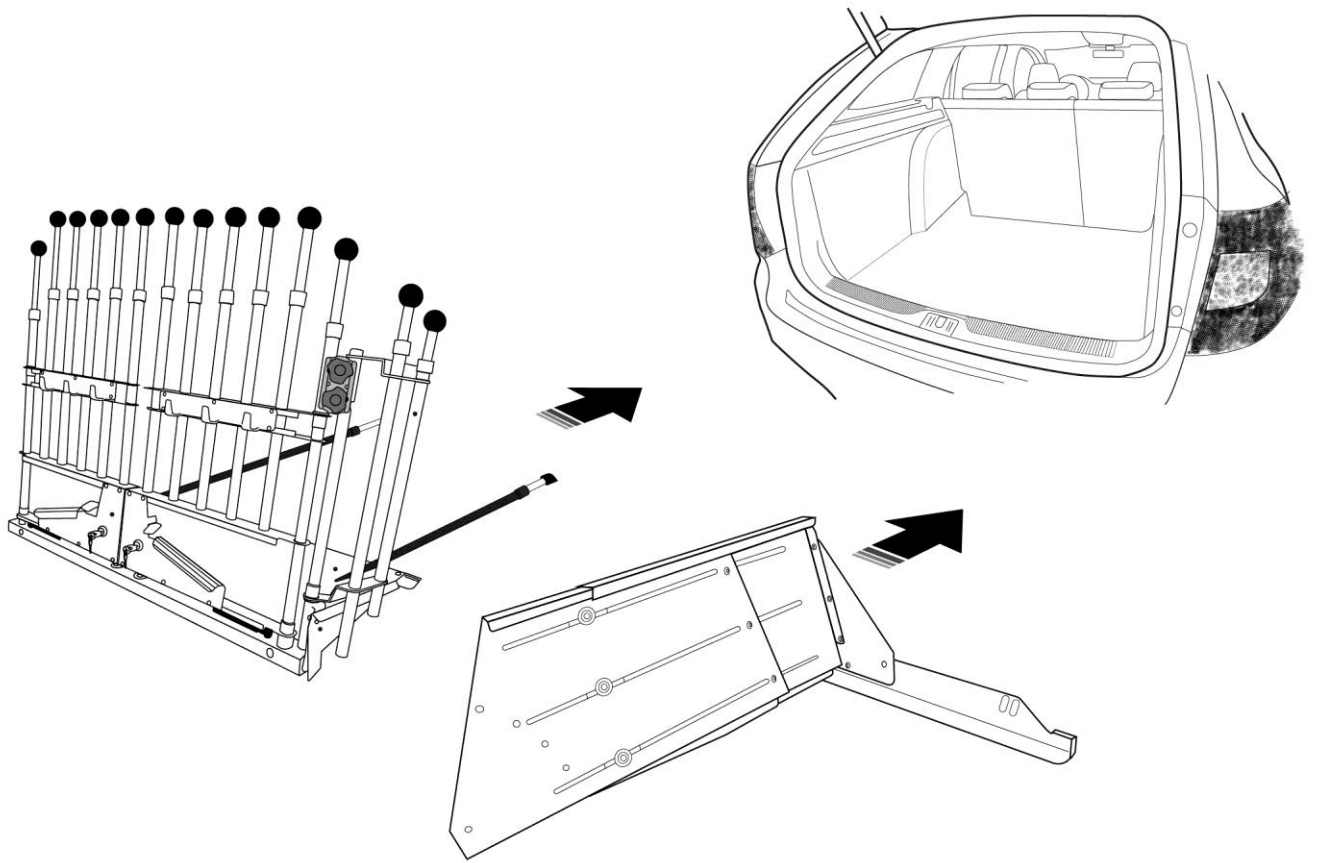
5



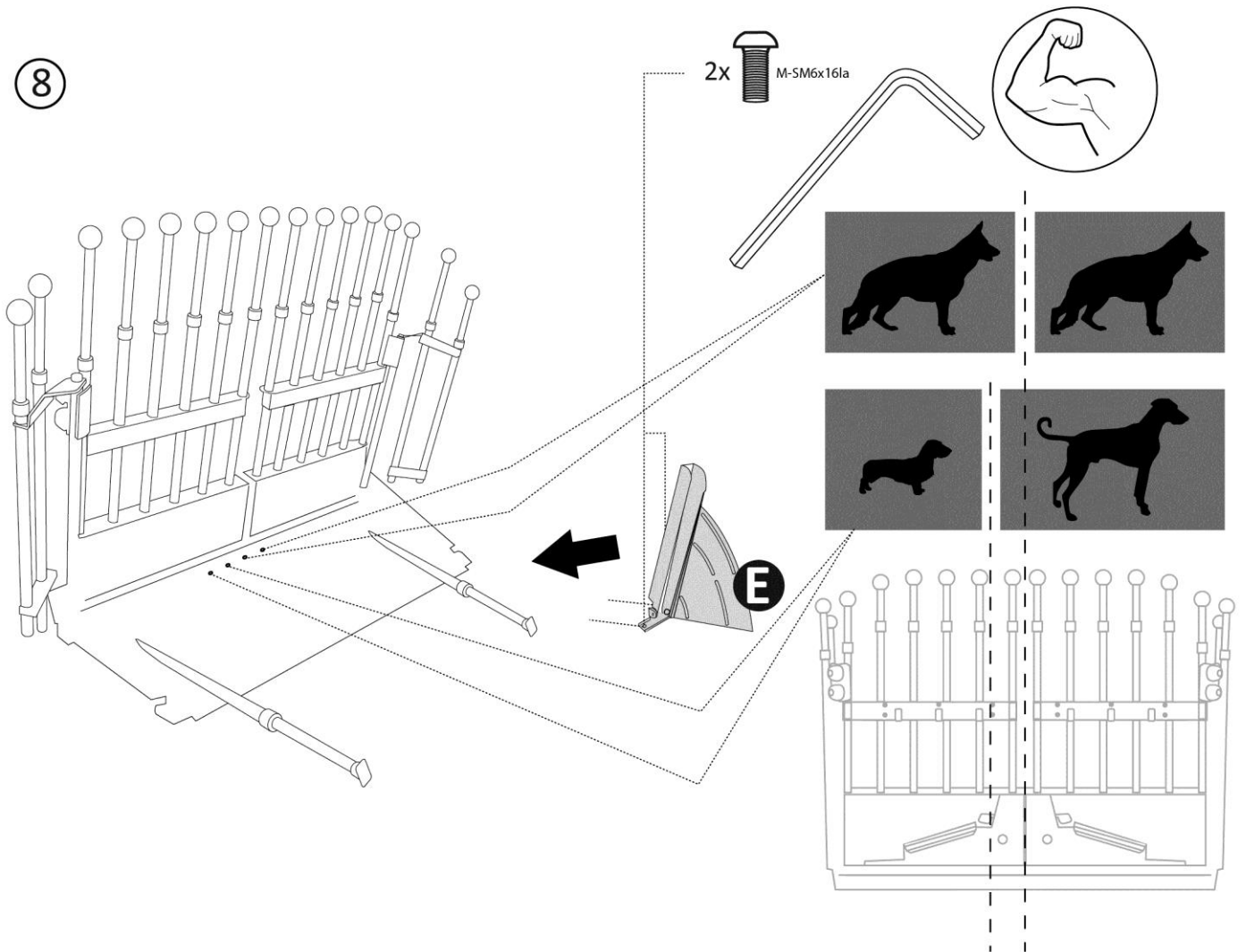
6



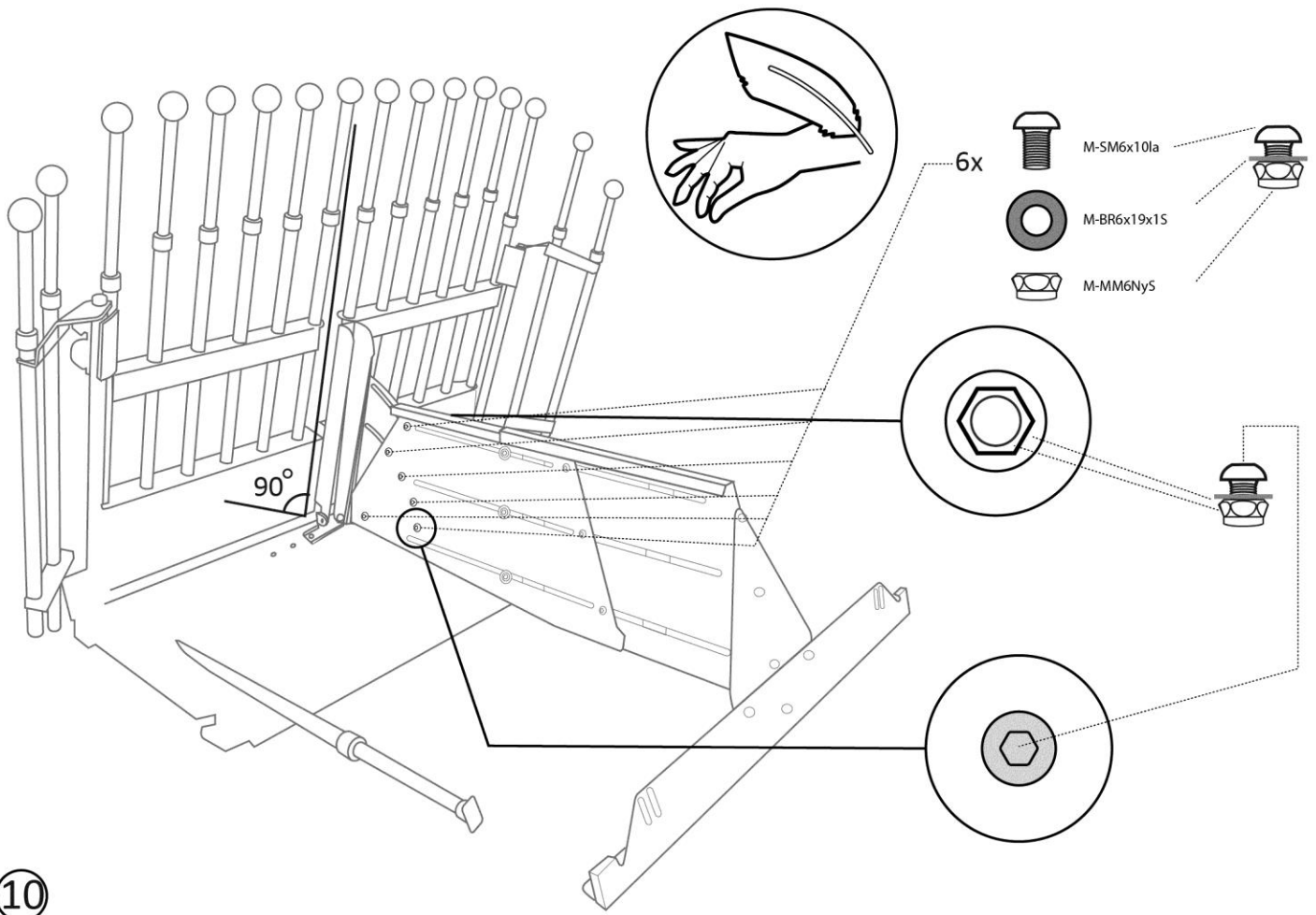
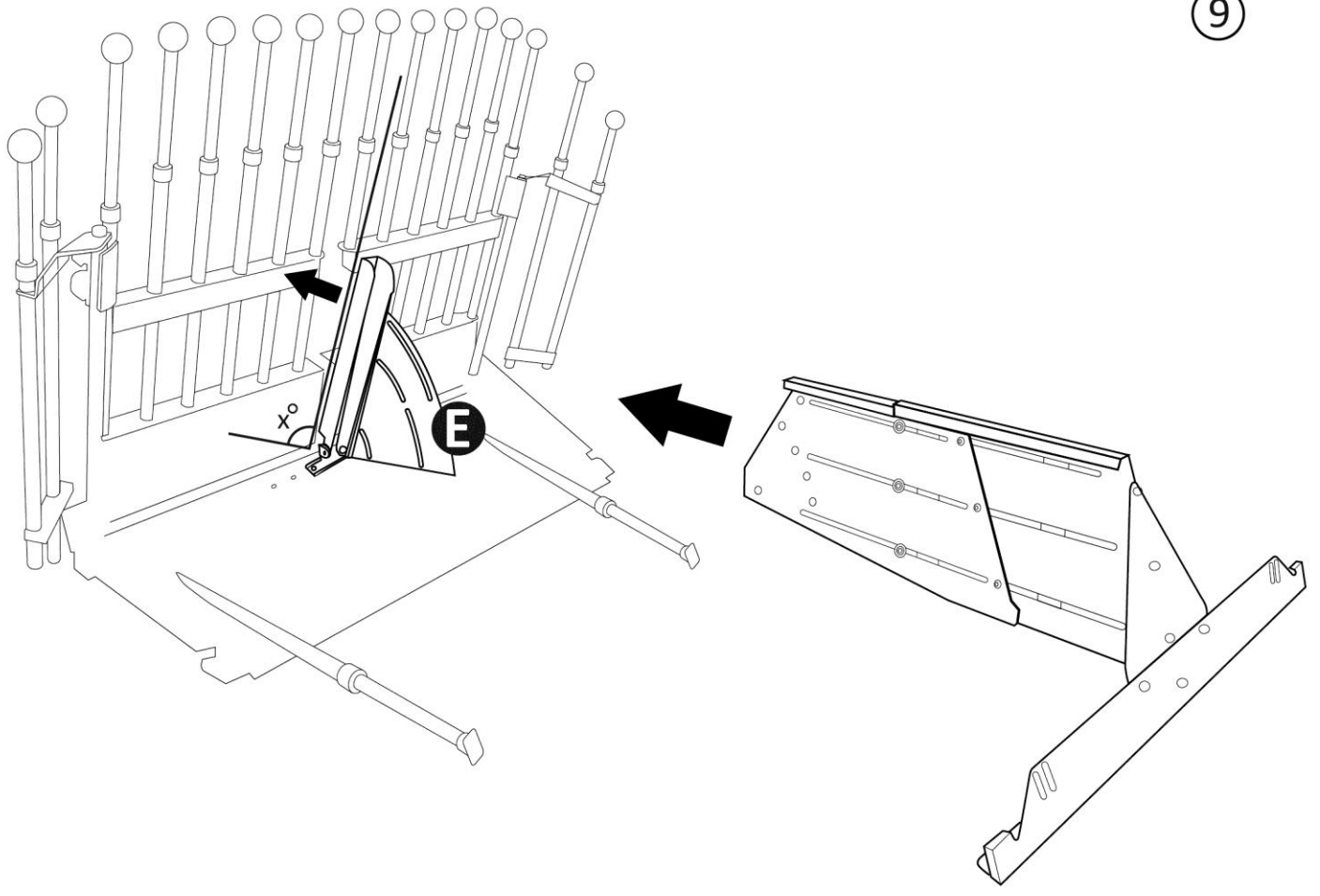
7



8

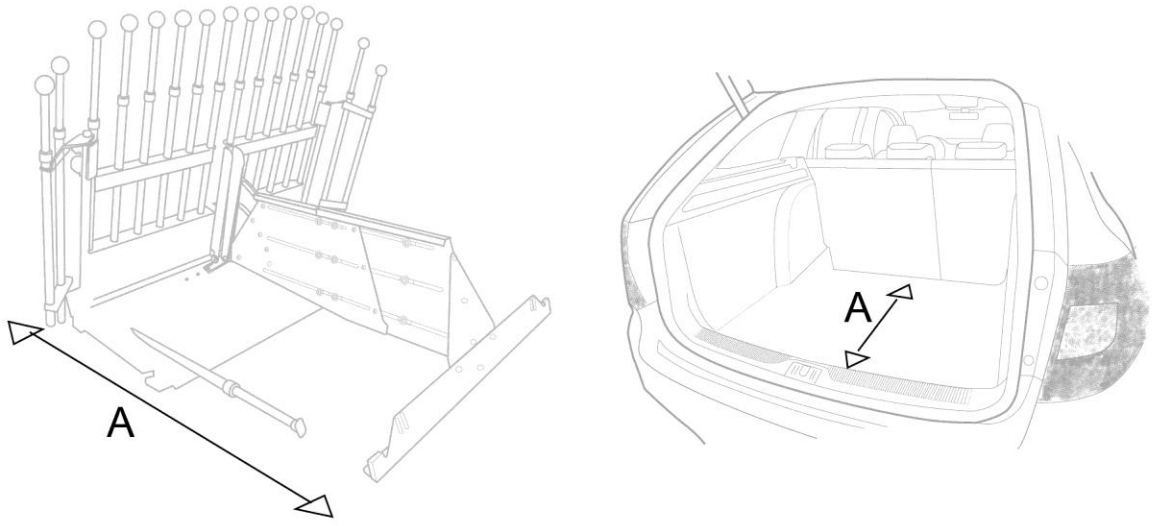


9

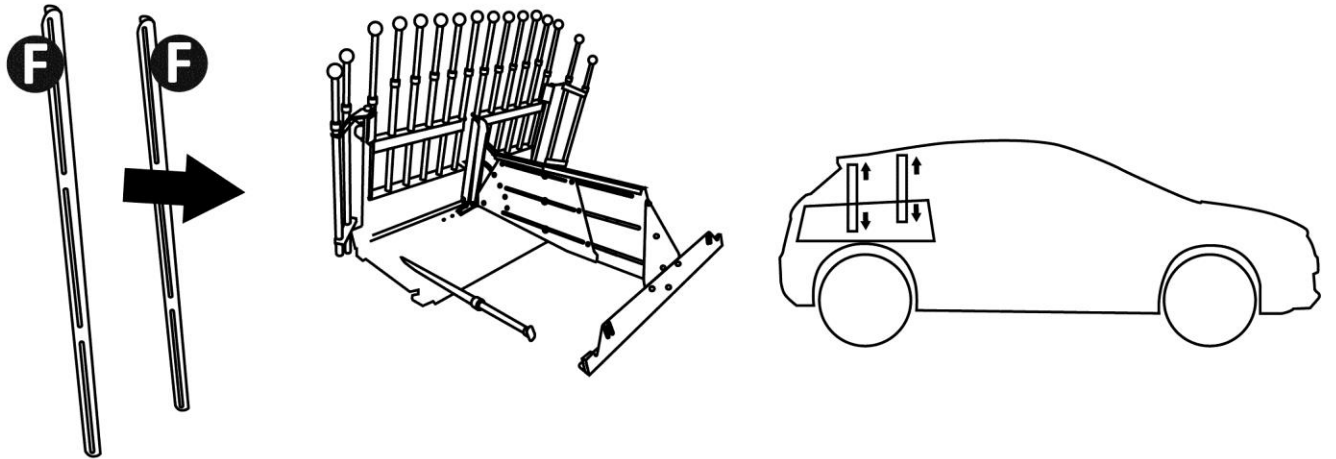


10

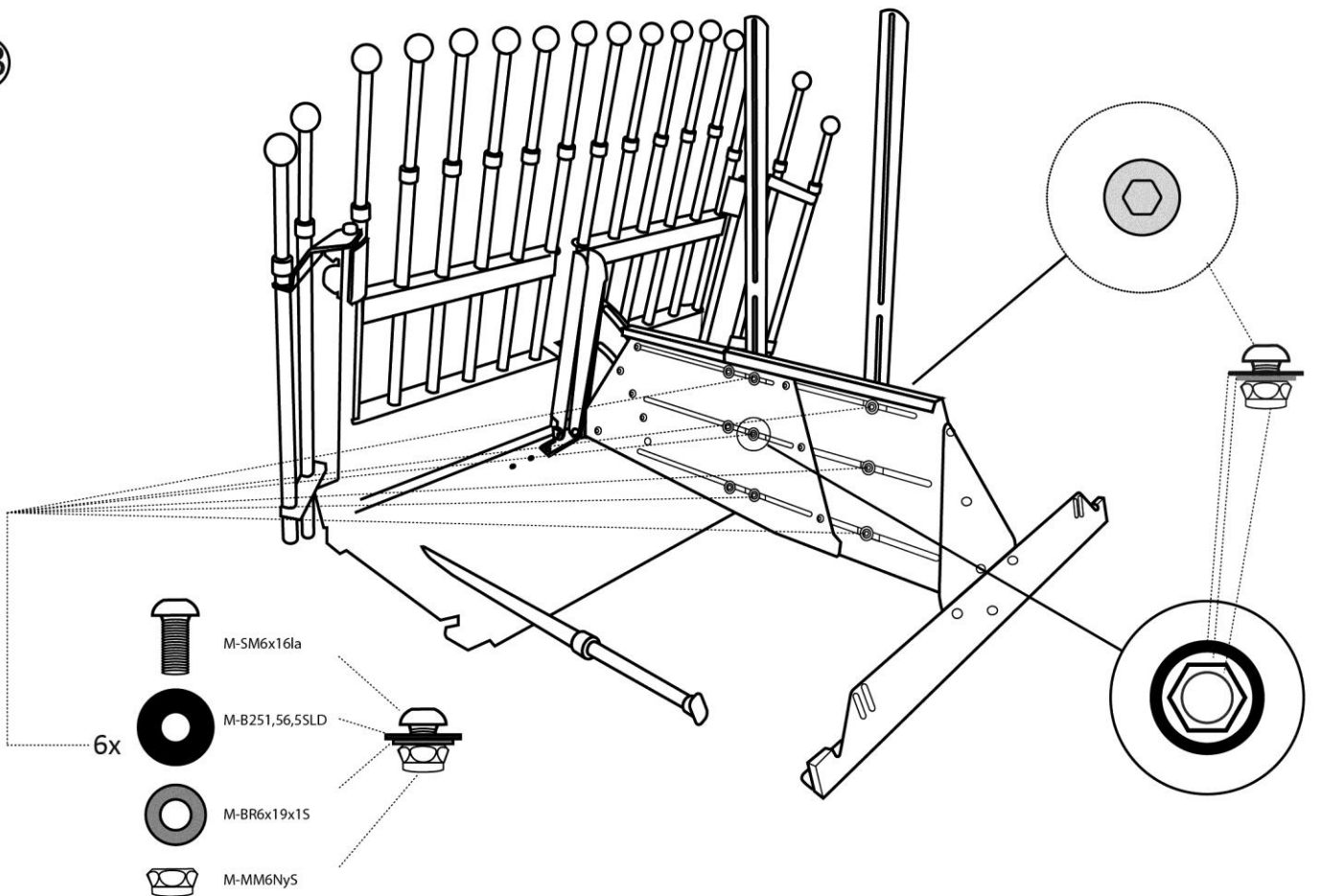
11



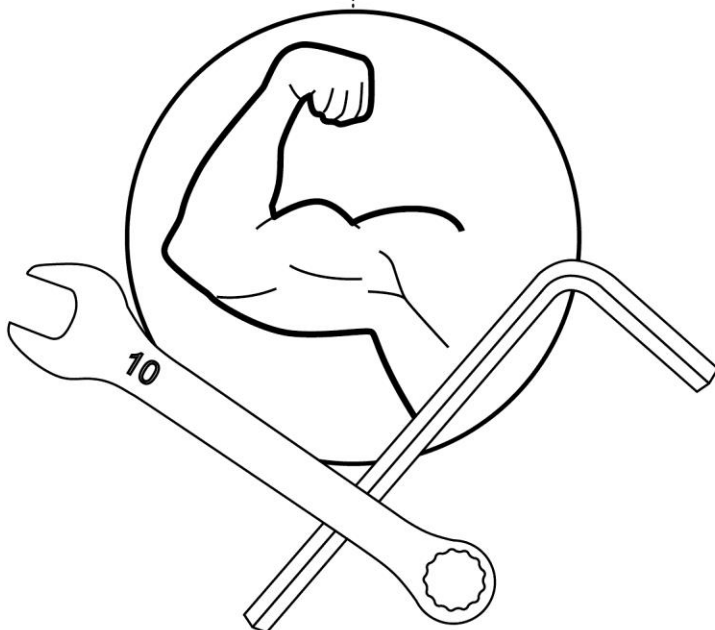
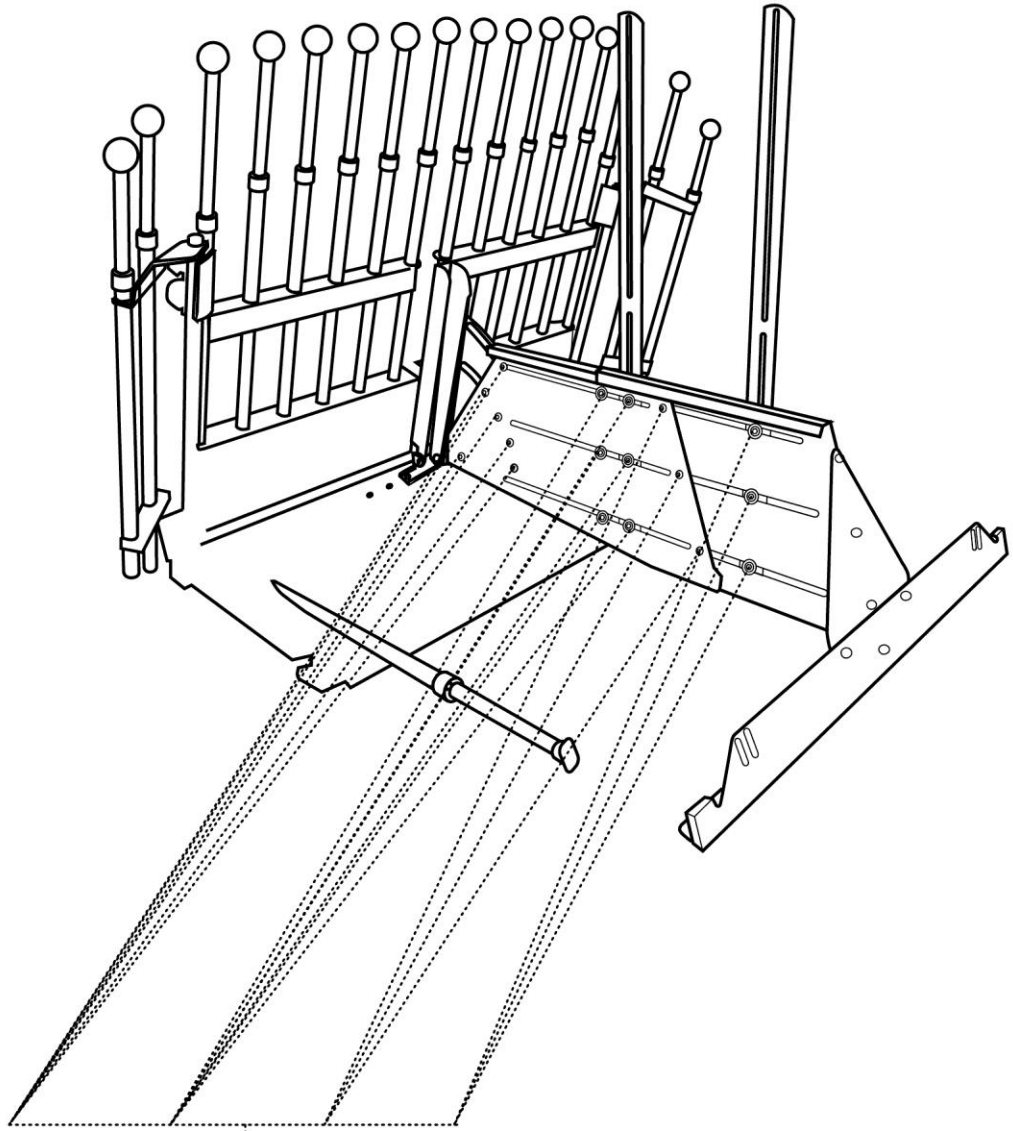
12



13



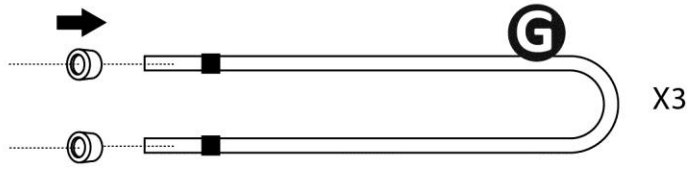
14



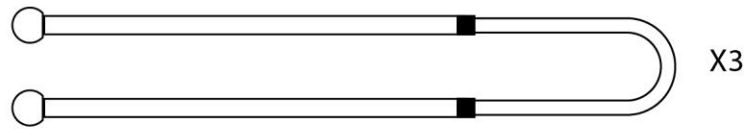
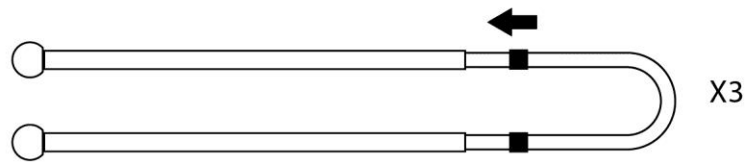
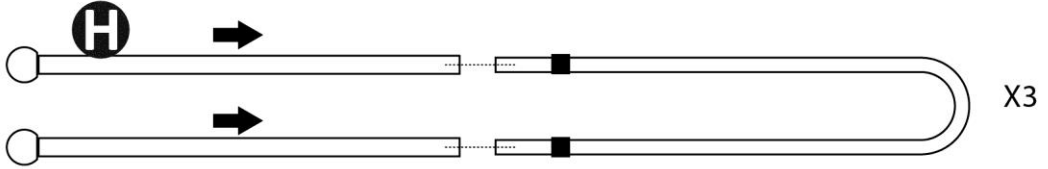
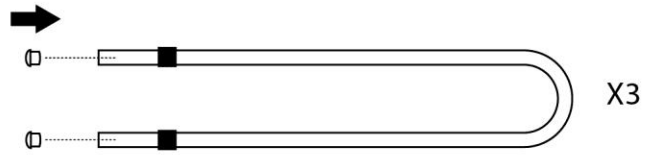


15

6x M-460641AY

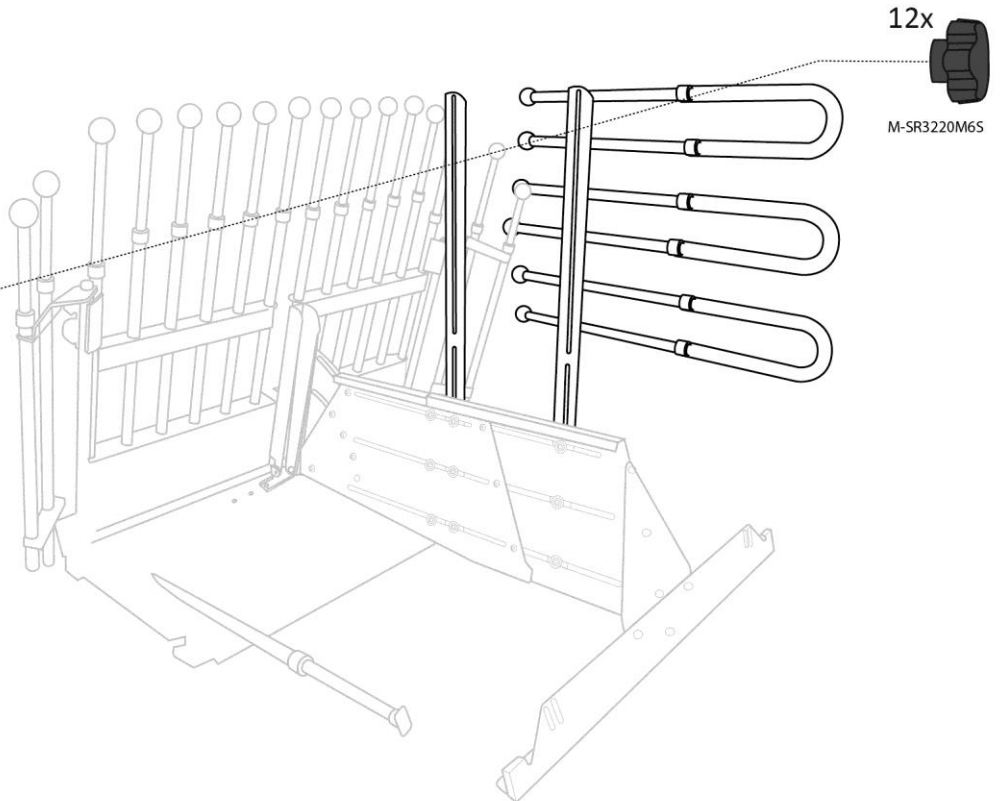
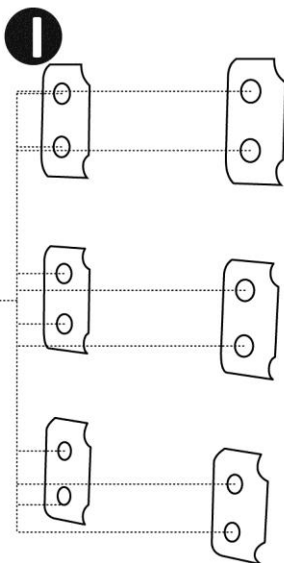


6x M-460641AL



16

12x M-VM6x35



17

